



**Модульный ограничитель перенапряжений Socomes Surgys L1- брошюра на продукцию.
Юниджет**

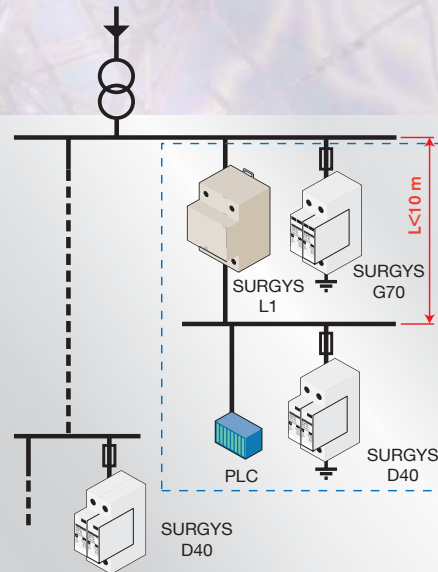
Постоянная ссылка на страницу: [https://www.uni-jet.com/catalog/commutation/
oborudovanie-dlya-elektronnoj-zashhityi/socomes-surgys-l1.html](https://www.uni-jet.com/catalog/commutation/oborudovanie-dlya-elektronnoj-zashhityi/socomes-surgys-l1.html)





sgys_005_a_1_cat

Applications



sgys_001_a_1_gp_cat

shb_221_a

Function

The **SURGYS® L1** inductance coordination unit is designed to ensure the implementation of head and distribution low voltage surge arresters of the SOCOMEC range. This inductance is necessary for carrying out a coordination or "cascading" of surge arresters when the "natural" inductance of the wiring is insufficient (length < 10 m).

General characteristics

- Maximum current of 100 A per conductor.
- Line inductance of 15 µH.

Coordination between head surge arresters:

- SURGYS® G140-F
- SURGYS® G40 FE
- SURGYS® G70.

and distribution surge arresters:

- SURGYS® D40
- SURGYS® E10.

located in immediate proximity.

➔ **Characteristics**

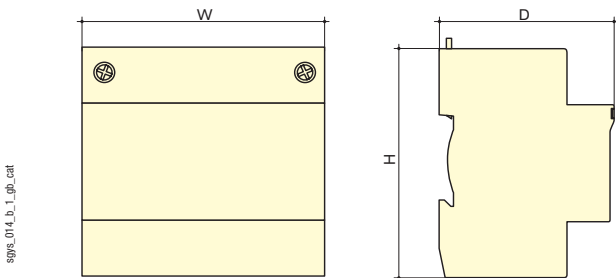
Network

Network type	230/400 VAC
Nominal voltage U_n	400 VAC
Maximum voltage U_c	500 VAC
Maximum line current	100 A
Line inductance L	15 μ H

Operating conditions

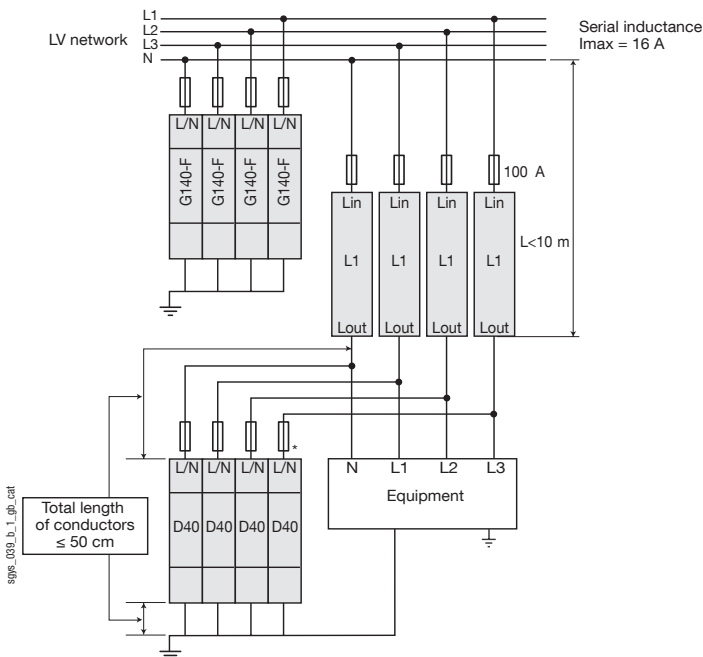
Operating temperature	-40 ... +85 °C
Storage temperature	-40 ... +85 °C

➔ **Case**



Type	Modular
Dimensions W x H x D	106 x 90 x 59 mm
Case degree of protection	IP20
Terminal block degree of protection	IP20
Mounting	35 mm symmetric rail
Case material	polycarbonate UL94- 5VA
Network connection section	4 ... 50 mm ²

➔ **Connection**



➔ **References**



SURGYS® L1
Reference

4988 9100

Device

Coordination inductance L1